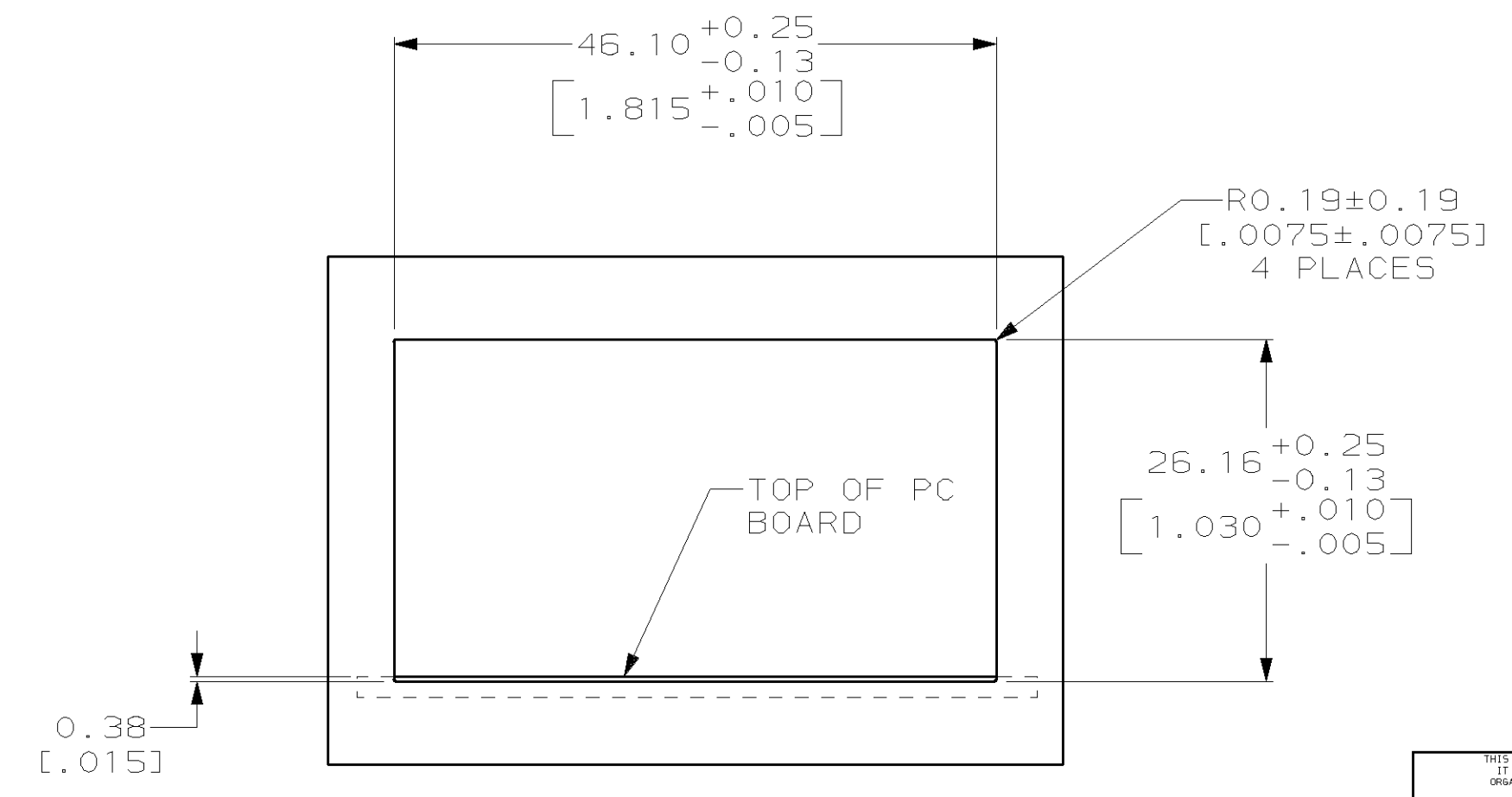


PC BOARD LAYOUT VIEWED FROM COMPONENT SIDE SCALE 2:1



**MATERIAL:**  
 HOUSING - PCT POLYESTER, BLACK, UL94V-0.  
 OVERMOLDED TERMINAL ARRAY - PBT, BROWN.  
 TERMINALS - 0.33 [.013] THICK PHOS BRONZE PLATED WITH 1.27µm [.000050] MINIMUM THICK HARD GOLD IN LOCALIZED AREA AND 3.81µm [.000150] MINIMUM THICK TIN-LEAD IN SOLDER AREA OVER 1.27µm [.000050] MINIMUM THICK NICKEL UNDERPLATE.  
 SHIELD - 0.25 [.010] THICK COPPER ALLOY PLATED WITH 2.03µm [.000080] MINIMUM THICK TIN-LEAD OVER 2.54µm [.000100] MINIMUM COPPER.

**JACK CAVITY CONFORMS TO FCC RULES AND REGULATIONS, PART 68 SUBPART F.**

<small>THIS DRAWING IS A CONTROLLED DOCUMENT FOR AMP INCORPORATED. IT IS SUBJECT TO CHANGE AND THE CONTROLLING ENGINEERING ORGANIZATION SHALL BE CONTACTED FOR THE LATEST REVISION.</small>		DWN: T. SPRINKLE 6-07-95 CHK: C. WHITT 6-22-95 APV: J. VARSIK 6-29-95	<b>AMP</b> AMP Incorporated Harrisburg, PA 17105-3608
DIMENSIONS: mm [INCHES] 0 PLC ± 1 PLC ± 2 PLC ±0.25 [.010] 3 PLC ±0.13 [.005] 4 PLC ± UNLESS OTHERWISE SPECIFIED.	TOLERANCES UNLESS OTHERWISE SPECIFIED.	NAME: STACKED MODULAR JACK ASSEMBLY, 2x3 PORT, 8 POSITION, SHIELDED, PANEL GROUND, CATEGORY 5 SIZE: A1 CAGE CODE: 00779 DRAWING NO: C-569261	CUSTOMER DRAWING SCALE: 4:1 SHEET: 1 OF 1 REV: E

569261-1  
PART NUMBER